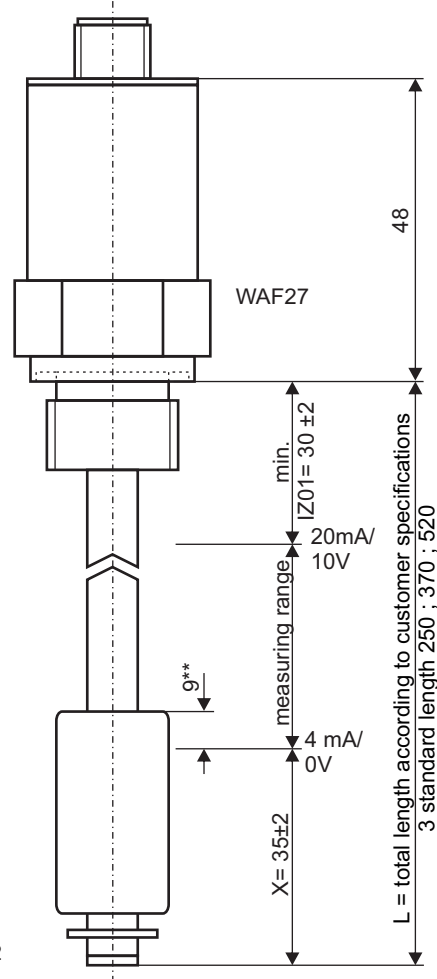


Data sheet

Analogue Level measurement

Type: ANM-55... optional with temperature sensor or switch

View mounting BE04
further BE see page 4-7



** Height above medium surface for float type S52
at density of 0,87g/cm

Dimensions in mm

Technical data

| | |
|------------------------|---|
| Connection: | plug-type connector M12x1, a-coded, 4-, 5-, 6- or 8-pole without connector socket, material TPU on housing $\varnothing 27$ mm, material see order key. |
| Mounting: | see order key |
| Tube: | $\varnothing 12$ mm or $\varnothing 8$ mm, length as specified, material brass or stainless steel |
| Float: | $\varnothing 17,8 \times 32$ mm, material NBR, type S52 $\varnothing 27 \times 31$ mm, material stainless steel, type S12 $\varnothing 35 \times 40$ mm, material PP, type S1 $\varnothing 45 \times 52$ mm, material stainless steel 1.4571, type S4 $\varnothing 21 \times 36$ mm, material NBR, type S64 |
| Resolution: | 2,5; 5 or 10mm reed chain |
| Measuring range level: | 4...20mA over a length of L - IZ01 - X = measuring range in mm, see page 4-7 0...10V over a length of L - IZ01 - X = measuring range in mm, see page 4-7 |
| Load: | max. 500 Ohm |
| Supply voltage: | 12...24VDC $\pm 15\%$ |
| Temperature sensor: | platinum measuring resistor PT100 or PT1000 in 2-wire, 3-wire, 4-wire, according DIN EN 60751 class B |
| Temperature switch: | switching function: n.c. contact/n.o. contact, standard switching point 60°C to 80°C; further on page 3 accuracy $\pm 5^\circ\text{C}$, smaller tolerances on request reset temperature = TP -30°C $\pm 15^\circ\text{C}$ |
| Pressure: | atmospheric, 5bar for stainless steel design |
| Operating temperature: | float NBR/ stainless steel: -20°C to 100°C in medium; -20°C to 70°C above mounting float: PP: -15°C to 80°C in medium; -20°C to 70°C above mounting |
| Protection rating: | IP 65 |

Data sheet

Analogue Level measurement

Type: ANM-55... optional with temperature sensor or switch

Order key

e.g.: ANM-55. GH11. AS01. BE12. RH01=350. IZ01=35. SW52. AL03. SI01. T60O. BT01

Housing:

GH10 = Ø27 stainless steel
GH11 = Ø27 alu

Connection: see table 4

AS01 = M12x1 4-pole
AS23 = M12x1 5-pole
AS04 = M12x1 6-pole
AS05 = M12x1 8-pole

Mounting: see table 1

BE04 = 1/2" alu
BE15 = 1/2" stainless steel
BE51 = 1" alu
BE49 = 1" stainless steel
BE05 = 3/4" alu
BE63 = 1 1/4" stainless steel
BE29 = 1 1/2" alu
BE36 = 1 1/2" stainless steel
BE38 = 2" stainless steel
BE02 = M20x1,5 alu
BE53 = M22x1,5 alu
BE54 = M24x1,5 alu
BE21 = flange 80x50 PA

Tube: see table 1

RH01 = ø8mm brass
RH02 = ø8mm stainless steel
RH03 = ø12mm brass
RH09 = ø12mm stainless steel
total length L e.g.: 350mm

Inactive zone above:

IZ01 = e.g. 35mm

Float: see table 2

SW52 = float S52
SW12 = float S12
SW04 = float S4
SW01 = float S1
SW64 = float S64

Resolution: see table 1

AL01 = resolution 2,5mm
AL03 = resolution 5mm
AL04 = resolution 10mm

Output:

SI01 = 0...10V
SI02 = 4...20mA

Temperature switch or sensor: see page 3

Temperature switch
T70O = 70°C n.c.contact
T60S = 60°C n.o.contact
Temperature sensor
PT100 2-wire = PT100
PT100 3-wire = PT103
PT100 4-wire = PT104
PT1000 2-wire = PT1000
PT1000 3-wire = PT1003
PT1000 4-wire = PT1004

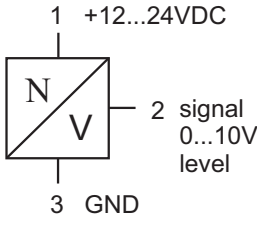
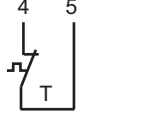
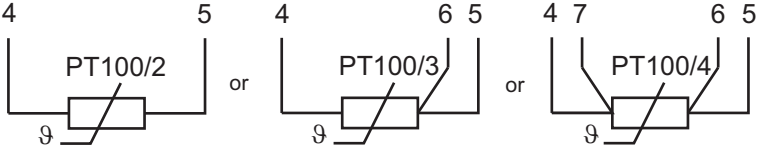
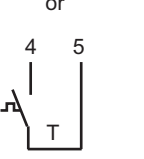
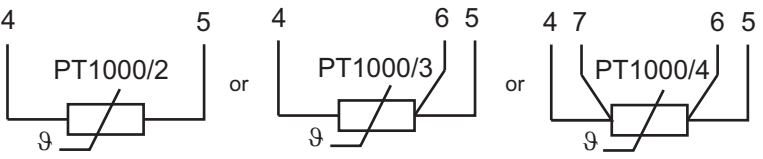
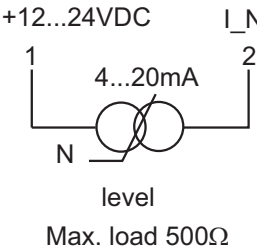
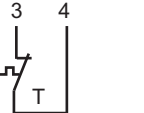
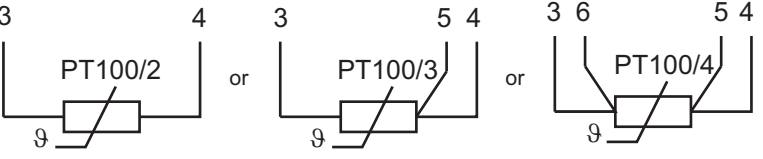
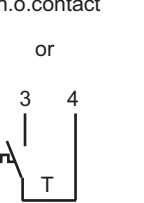
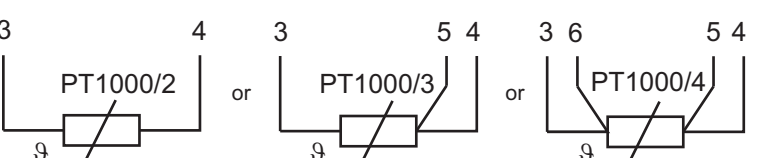
Temperature class: see table 3

BT01 = -20°C...100°C
BT03 = -15°C...80°C

Data sheet

Analogue Level measurement

Type: ANM-55... optional with temperature sensor or switch

| Terminal diagram optional with temperature switch or sensor | | | |
|---|---|---|--|
| SI01  |  Temperature switch n.c. contact |  Temperature sensor PT100 | |
| |  Temperature switch n.o. contact |  Temperature sensor PT1000 | |
| SI02  |  Temperature switch n.o. contact |  Temperature sensor PT100 | |
| |  Temperature switch n.c. contact |  Temperature sensor PT1000 | |

Temperature switching point range:

| Switching temperature | Reset temperature | Switching temperature | Reset temperature |
|-----------------------|-------------------|-----------------------|-------------------|
| 40°C±5K | ≥ 27°C | 95°C±5K | 70°C±15K |
| 45°C±5K | ≥ 30°C | 100°C±5K | 70°C±15K |
| 50°C±5K | ≥ 33°C | 105°C±5K | 75°C±15K |
| 55°C±5K | 34-47°C | 110°C±5K | 75°C±15K |
| 60°C±5K | 35-52°C | 115°C±5K | 80°C±15K |
| 65°C±5K | 36-57°C | 120°C±5K | 85°C±15K |
| 70°C±5K | 38-60°C | 125°C±5K | 90°C±15K |
| 75°C±5K | 38-63°C | 130°C±5K | 95°C±15K |
| 80°C±5K | 55°C±15K | 135°C±5K | 100°C±15K |
| 85°C±5K | 60°C±15K | 140°C±5K | 105°C±15K |
| 90°C±5K | 65°C±15K | 145°C±5K | 105°C±15K |

Data sheet

Analogue Level measurement

Type: ANM-55... optional with temperature sensor or switch

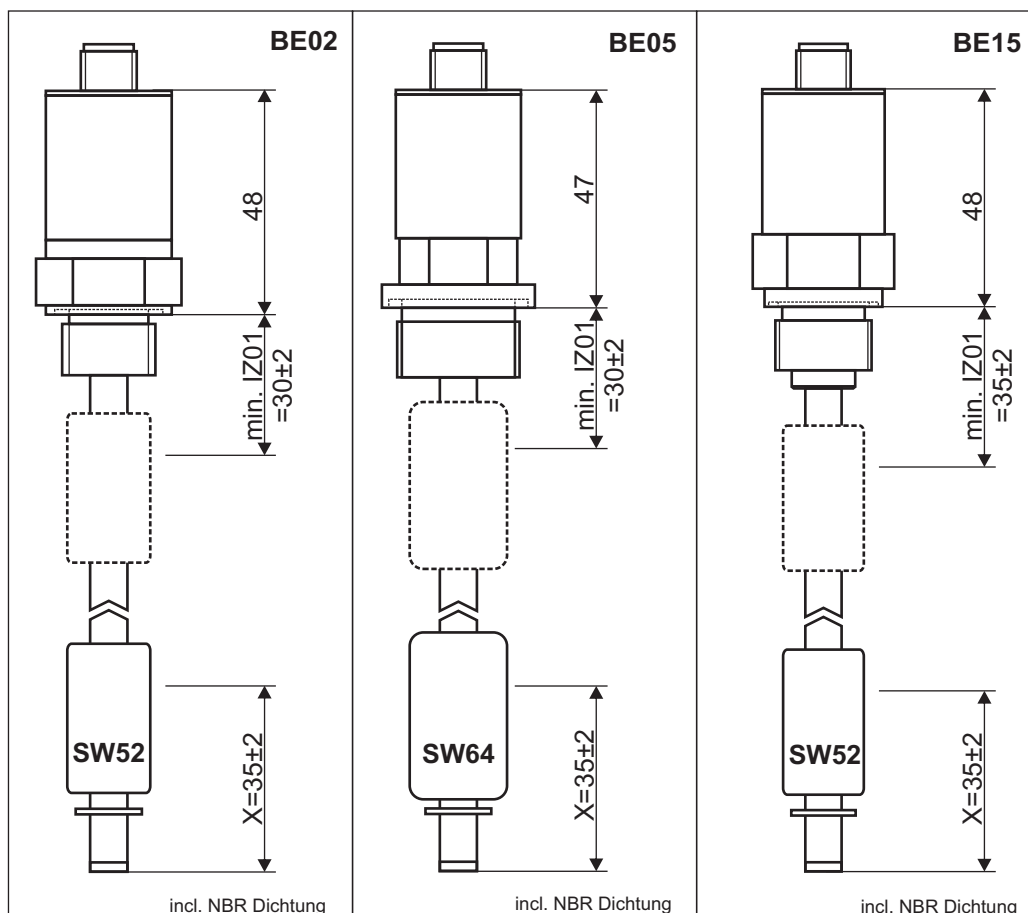
| Table 1 | Mounting BExx see page 3-5 | | | | | | | | | | | | | Resolution ALxx | | |
|-----------|----------------------------|------|------|------|------|------|------|------|------|------|------|------|------|-----------------|------|------|
| Tube RHxx | BE04 | BE15 | BE57 | BE49 | BE02 | BE21 | BE05 | BE29 | BE36 | BE63 | BE38 | BE54 | BE53 | AL01 | AL03 | AL04 |
| RH01 | ✓ | – | ✓ | – | ✓ | ✓ | ✓ | – | – | – | – | ✓ | ✓ | – | ✓ | ✓ |
| RH02 | – | ✓ | – | ✓ | – | ✓ | – | – | – | ✓ | – | – | – | – | ✓ | ✓ |
| RH03 | – | – | – | – | – | – | – | ✓ | – | – | – | – | – | ✓ | ✓ | ✓ |
| RH09 | – | – | – | – | – | – | – | – | ✓ | ✓ | ✓ | – | – | ✓ | ✓ | ✓ |

| Table 2 | Mounting BExx see page 3-5 | | | | | | | | | | | | |
|------------|----------------------------|------|------|------|------|------|------|------|------|------|------|------|------|
| Float SWxx | BE04 | BE15 | BE57 | BE49 | BE02 | BE21 | BE05 | BE29 | BE36 | BE63 | BE38 | BE54 | BE53 |
| SW52 | ✓ | ✓ | ✓ | ✓ | ✓ | ✓ | ✓ | – | – | ✓ | – | ✓ | ✓ |
| SW12 | – | – | ✓ | ✓ | – | ✓ | – | – | – | ✓ | – | – | – |
| SW04 | – | – | – | – | – | – | – | ✓ | ✓ | – | ✓ | – | – |
| SW01 | – | – | – | – | – | – | – | ✓ | ✓ | ✓ | ✓ | – | – |
| SW64 | – | – | ✓ | ✓ | – | ✓ | ✓ | – | – | ✓ | – | ✓ | – |

Other variants and material on request possible

| Table 3 | Temperature class BTxx | |
|-----------------|------------------------|------|
| Material | BT01 | BT03 |
| NBR | ✓ | – |
| Stainless steel | ✓ | – |
| PP | – | ✓ |

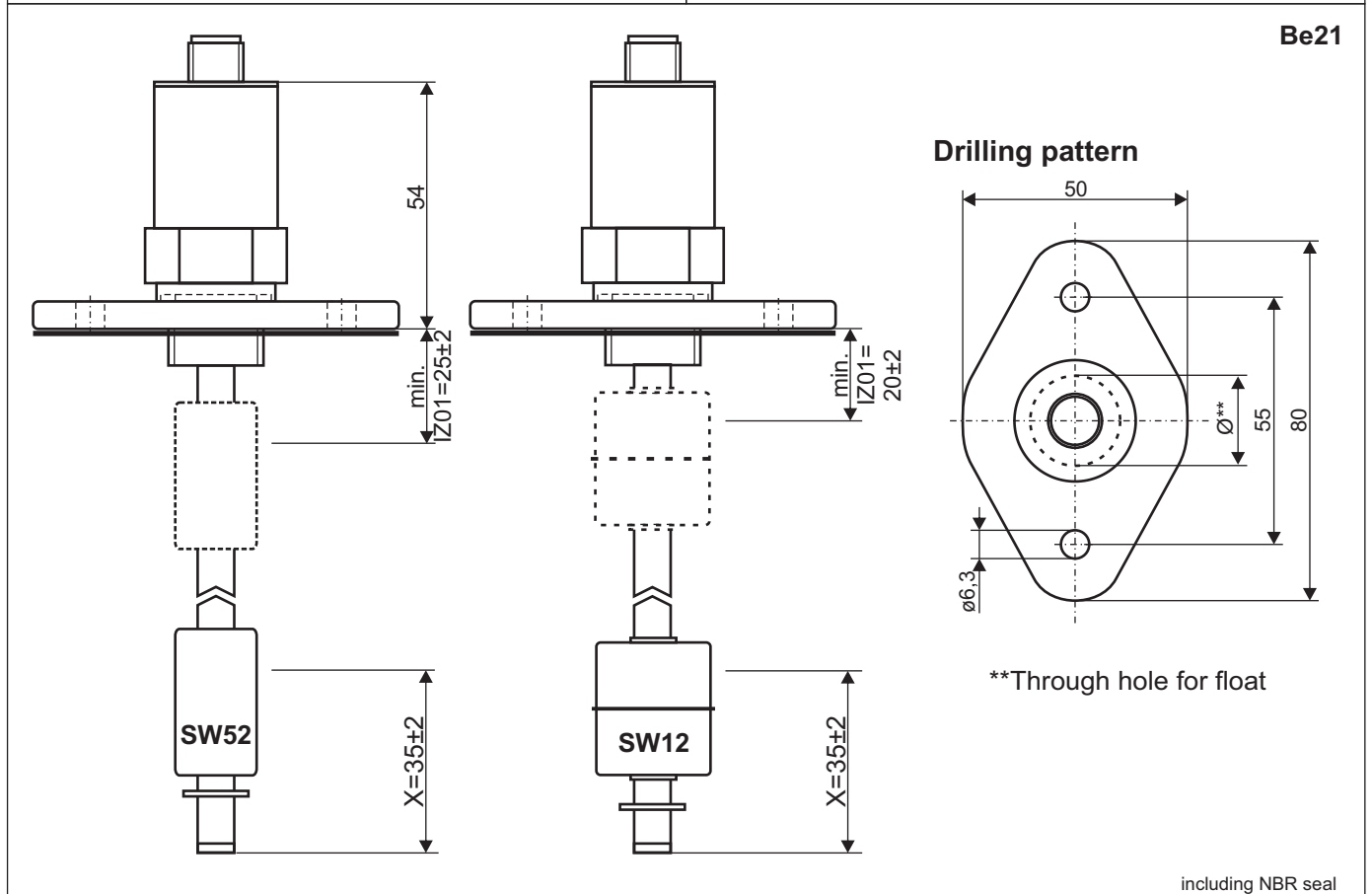
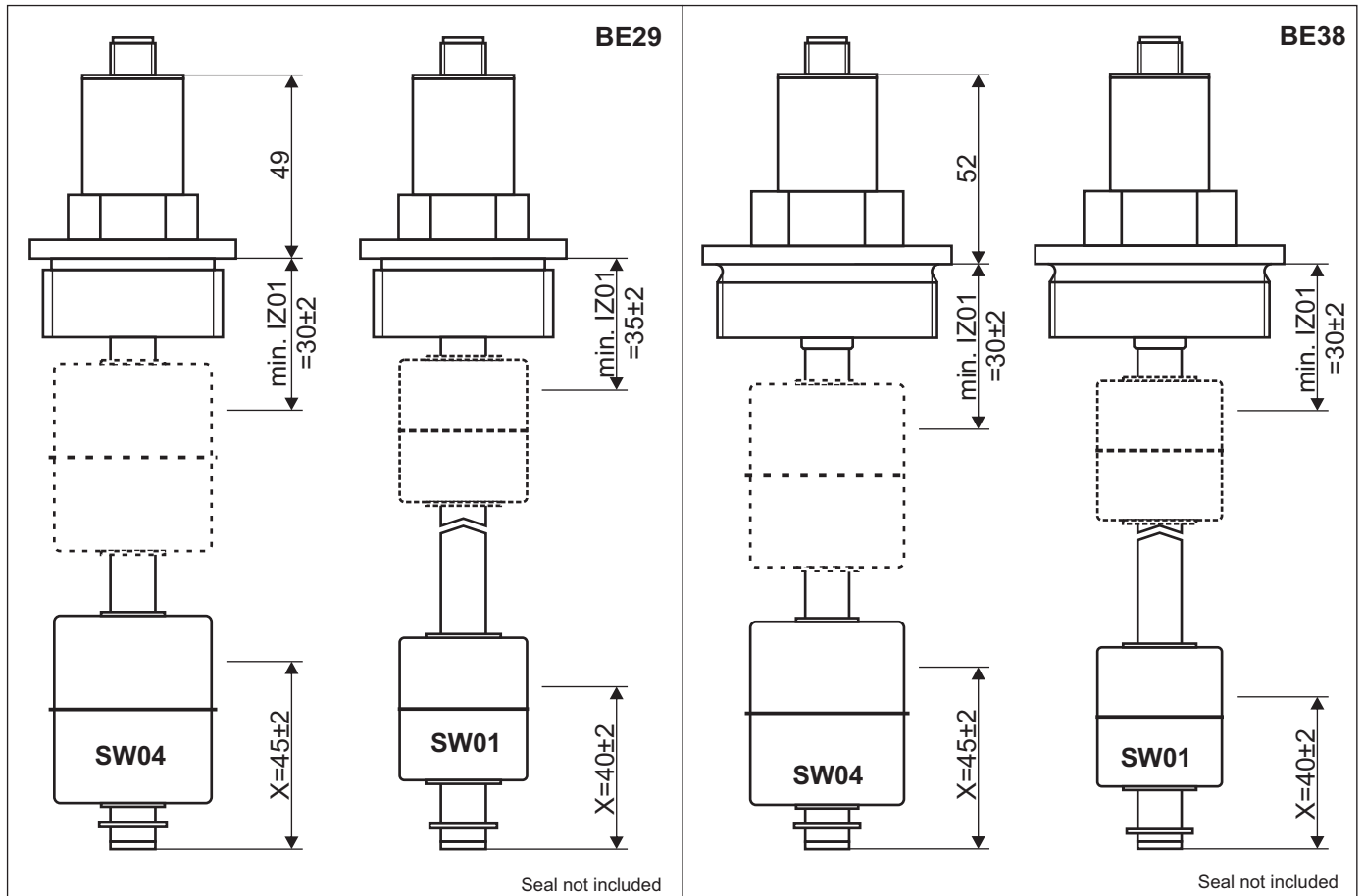
| Table 4 | Temperature switch /-sensor | | | |
|-------------|-----------------------------|---------------------|---------------------|---------------------|
| Output SIXX | TXXO/S | PT100/2 PT1000/2 | PT100/3 PT1000/3 | PT100/4 PT1000/4 |
| SI01 | AS23 | AS23 | AS04 | AS05 |
| SI02 | AS01 | AS01 | AS23 | AS04 |



Data sheet

Analogue Level measurement

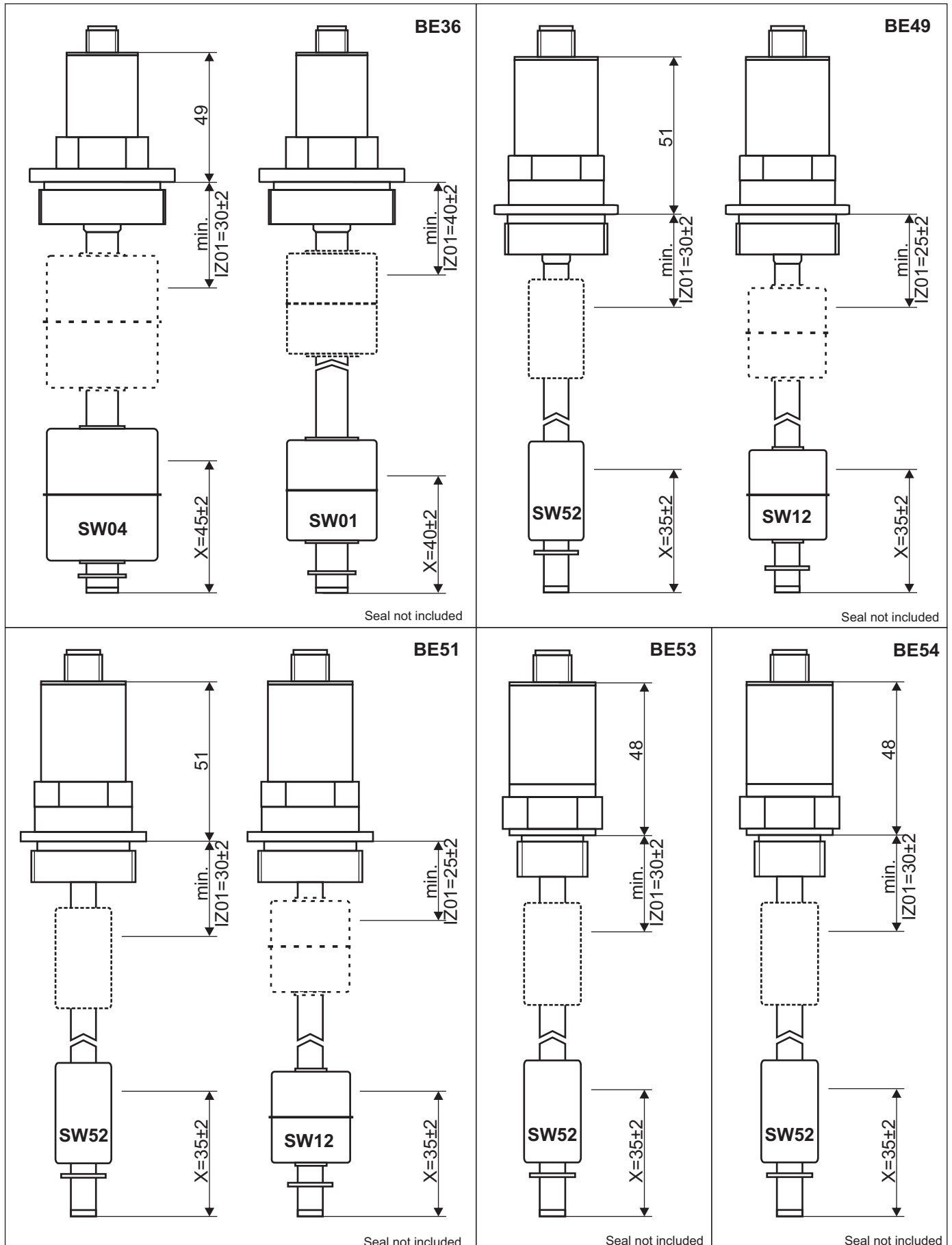
Type: ANM-55... optional with temperature sensor or switch



Data sheet

Analogue Level measurement

Type: ANM-55... optional with temperature sensor or switch



Data sheet

Analogue Level measurement

Type: ANM-55... optional with temperature sensor or switch

